

drive.web **smarty-HV**®

Universal Automation Controller
with HV Option

models



dw25x-xx-HV

Installation & Operation Manual

Contents	Page
Design Statements, Warnings	1
HV Product Identification	2
HV Terminal Naming and Ratings	2
HV Dimensions, Terminals, Typical Circuit	3
HV Function Blocks	5, 6
Free drive.web Online Training Seminars	12

Design Statements

EMC Standard, EN 61326-1: 2006, Electrical Equipment for Measurement, Control and Laboratory Use.

Emissions Class A, Commercial Equipment.

Immunity Table 2, Industrial Equipment.

LVD Standards, EN 61010-1: 2010, Safety Requirements for Electrical Equipment for Measurement, Control and Laboratory Use and;

EN 61010-2-030: Particular Requirements for Testing and Measuring Circuits.

smarty is an industrial controller designed for permanent installation by qualified professionals. If it is used in a manner not specified herein the protection provided may be impaired.

smarty and its packaging contain recyclable materials

This device is designed to comply with Part 15 of the FCC Rules. Operation is subject to the following two conditions: (1) This device may not cause harmful interference, and (2) this device must accept any interference received, including interference that may cause undesired operation.

This Class [A] digital apparatus is designed to comply with Canadian ICES-003. Cet appareil numérique de la classe [A] est conforme à la norme NMB-003 du Canada.

Warning! It is essential that you read and understand this entire manual and the entire contents of the **savvy** software **Help** menu before proceeding with your installation and configuration. See page 6 for **savvy** installation instructions. For more information and to download manuals and software, go to www.driveweb.com or contact us. See page 12.

Warning! Your use of **savvy** software and **drive.web** devices may cause motors and machinery to power up with high Voltages or start or operate in an unexpected, dangerous or lethal way. It is essential that you are completely familiar with all of the equipment and the system design before attempting to program or edit a program or connect to any live device. It is also essential that a risk assessment is conducted to identify hazards. Risks must be reduced to tolerable levels.

Warning! You are entirely responsible for the configuration or use of any **drive.web** product. By configuring or using these products you agree to indemnify and hold harmless Bardac Corporation, its employees, directors, officers, distributors, and resellers against the consequences of your configuration or use of the products.

Warning! Information in this manual is subject to change without notice. You are responsible for verifying the proper operation of your **smarty**. Special care must be taken after loading new firmware or installing new options.

Warning! Avoid permanent damage to your **smarty**, never exceed any **min** or **max** values.

SMARTY, SAVVY, SAVVYPANEL, SPEEDY, BARDAC, and DRIVE.WEB are trade marks of Bardac Corporation, registered in the U.S. and other countries.

Product Identification - *smarty⁷-HV*

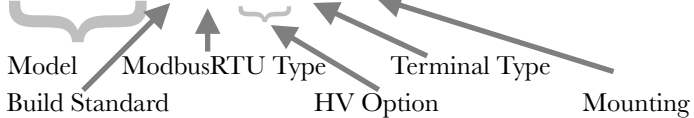
The **HV** option adds AC digital IO up to 240VAC on **dw25x**-series universal automation controllers.

This option manual must be used in conjunction with the **dw25x** product manual, part number HG504266

Product Identification - Part Numbers

Model number **dw25x** is appended with a three character extension.

Example; **dw250-DM-HVPF**



Terminal Type **P**

P - Plug-in screw terminals; Two blocks of 10 terminals; 20 total.

HV Terminal Naming and Ratings

- Terminal names are consistent in the **drive.web savvy** software, on the terminal, and on the cover plate next to the terminal.

OUT_x - **HV** option digital output. 240VAC, 0.5A max. Resistive, general, and pilot duty.

L2/N - **HV** option input reference, output source. 240VAC, 0.5A max.

SYNC - **HV** option reference for L1/L zero Volt switching, ZVS. 240VAC max, 240kΩ.

IN_x - **HV** option digital input, 240VAC max, 240kΩ.

HV Terminal Wiring

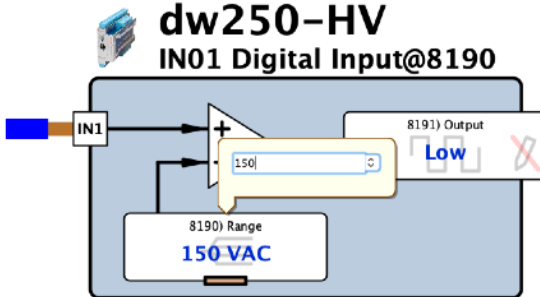
Strip 7mm(0.28"). 2.5mm² (AWG12) max, 28AWG min.

Tighten 0.5N•m (4.4in•lb)

Fast transient over-Voltage 1kV per EN 61000-4-4.

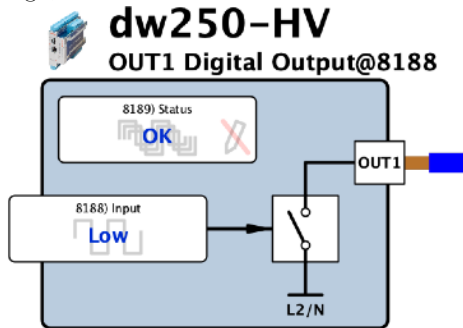
HV Function Blocks

- Using **drive.web savvy** software, instantiate function blocks. E.g. **I/O HVIO>IN01 Digital Input** and **OUT01 Digital output**.
- Use **IN01 Digital Input** function block **Range** parameter to configure; There are three enumerated ranges but any range 24VAC to 240VAC may be manually entered;



Range	33% Threshold	-5% Off	+5% On
24VAC	7.9VAC	6.7VAC	9.1VAC
120VAC	40VAC	34VAC	46VAC
240VAC	79VAC	67VAC	91VAC

- Use **OUT01 Digital Input** function block **Input** parameter to control the output. The switch graphic closes when the parameter is high;



drive.web Training Courses

Free online interactive training seminars take about one hour.

Specialized online and factory training sessions are also available.

To register email training@driveweb.com or call.